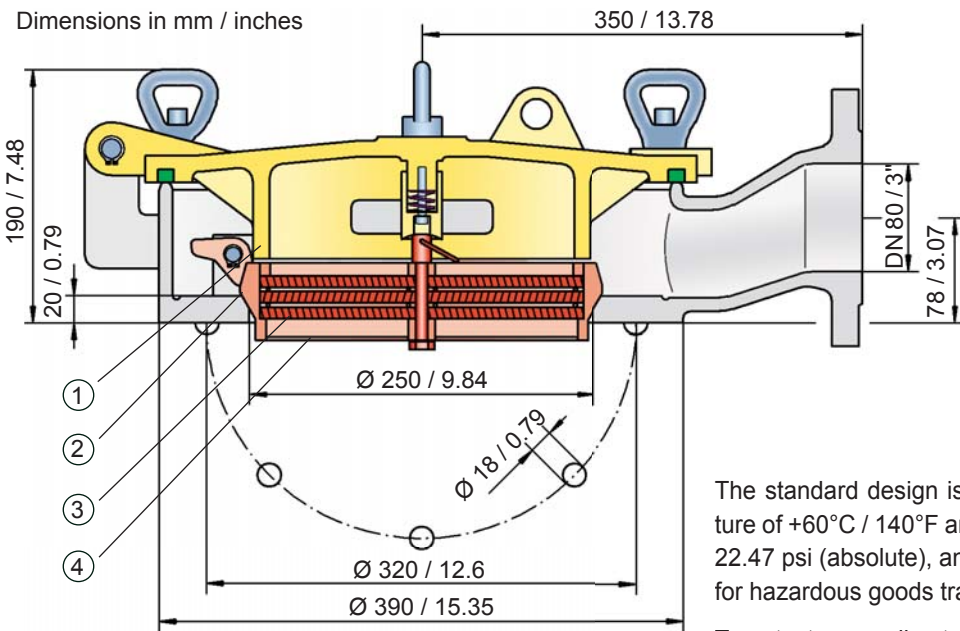


Detonation Flame Arrester for tank ships and containers

PROTEGO® BR/TS-80-IIB3



The standard design is approved up to an operating temperature of +60°C / 140°F and an operating pressure up to 1.55 bar / 22.47 psi (absolute), and it meets all the conditions of the ADN* for hazardous goods transport on European Inland Waterways.

Type-tests according to EN ISO 16852 and classification societies are available.

Function and Description

The PROTEGO® BR/TS-80-IIB3 detonation flame arrester was developed for protecting tankships but can also be used for containers. These devices are especially used on tank ships operating on inland waterways or coastal shipping. The device is installed on the tank or a pipe section connected to the tank with a nominal size of 250 mm / 10" and connected to the vapour balancing line (DN 80 / 3"). The individual tanks connected via the vapour balancing line are technically decoupled by the detonation arresters and protected.

The device protects against unidirectional detonation. In particular, the arrester consists of a shock absorber (1) and the PROTEGO® flame arrester unit (2). The PROTEGO® flame arrester unit consists of several FLAMEFILTER® discs (3) and spacers firmly held in a FLAMEFILTER® cage (4). It is movable and can be folded to the side for maintenance. The primary goal of this design is to enable the tank to be vented or supplied with air in an emergency when ice or crystallizing products clog the FLAMEFILTER®. The PROTEGO® BR/TS flame arrester is available for explosion groups IIA to IIB3 (NEC group D and C MESG ≥ 0.65 mm).

Special Features and Advantages

- meets all ADN* requirements
- flat design
- the emergency venting with the flexibly mounted flame arrester enables use even in bad weather conditions as well as with contaminated products
- extraordinarily easy to service
- the design of the PROTEGO® flame arrester unit enables individual FLAMEFILTER® discs to be replaced
- we offer support in calculating loading and unloading rates
- applicable for nearly all flammable liquids
- may be used as maintenance and cleaning hatch
- cost efficient spare parts

* European Agreement concerning the International Carriage of Dangerous Goods by Inland Waterways

Table 1: Material selection for housing

Design	A	B
Housing	Steel	Stainless Steel
Cover	Steel	Stainless Steel
Gasket	Tankatite	Tankatite
Flame arrester unit	A	A

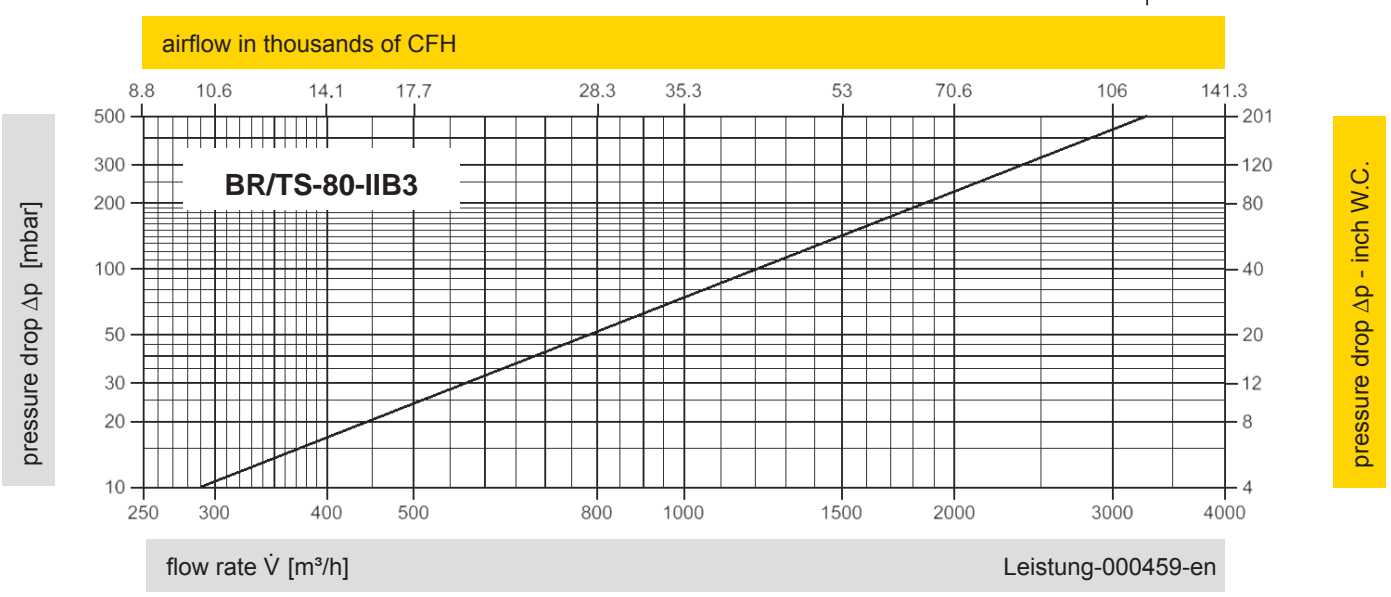
Table 2: Material for flame arrester unit

Design	A
FLAMEFILTER® cage	Stainless Steel
FLAMEFILTER®	Stainless Steel
Spacer	Stainless Steel

Table 3: Flange connection type

EN 1092-1; Form B1	other types upon request
ASME B16.5; 150 lbs RFSF	

DN 80 / 3"



The flow capacity chart has been determined with a calibrated and TÜV certified flow capacity test rig. Volume flow \dot{V} in [m^3/h] and CFH refer to the standard reference conditions of air ISO 6358 (20°C, 1bar). Conversion to other densities and temperatures refer to Vol. 1: "Technical Fundamentals".

